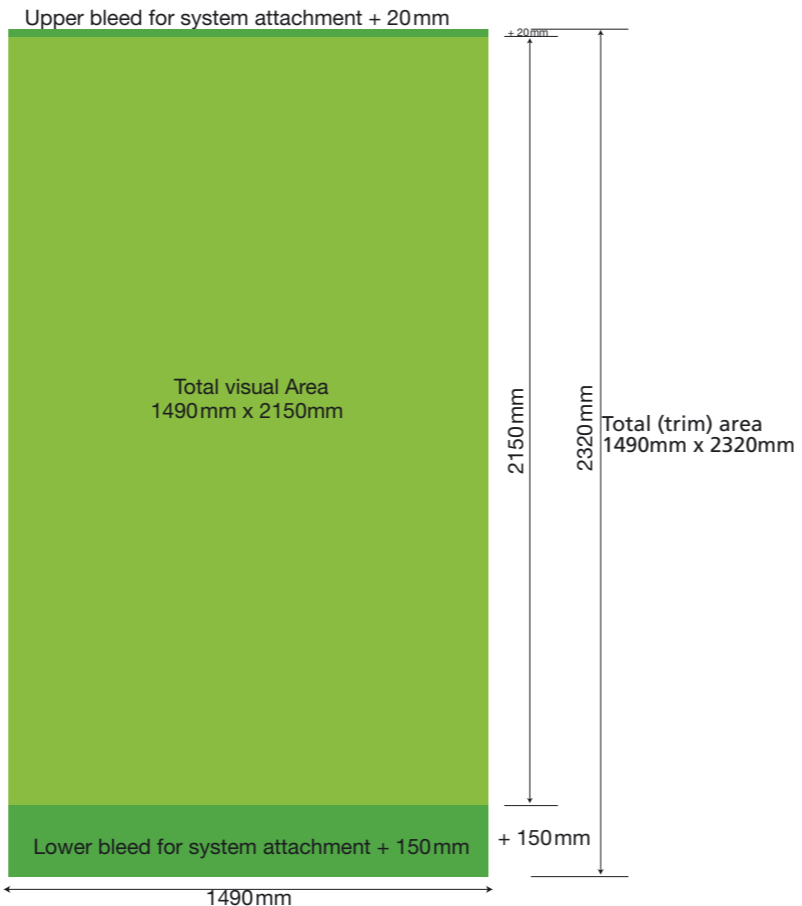
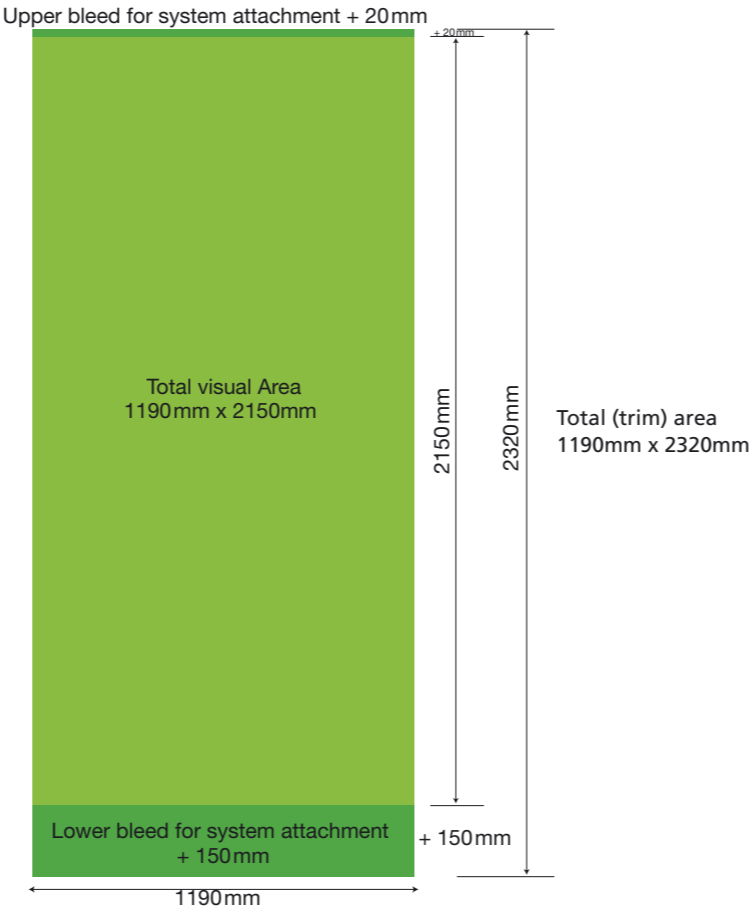
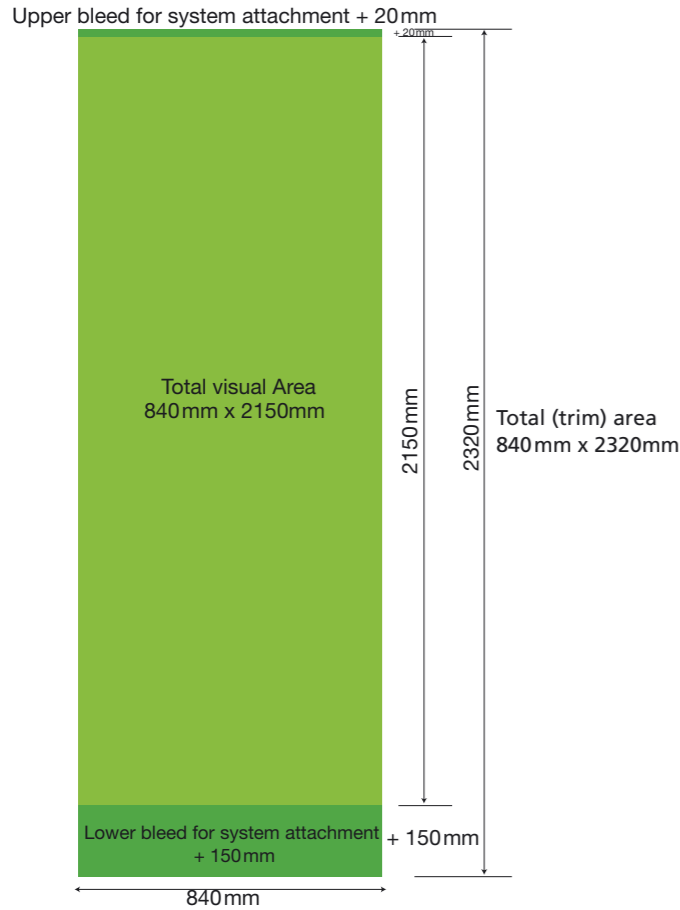


Retractable Roll-up Banner Graphics

Sterling Roll-up Available in 4 sizes

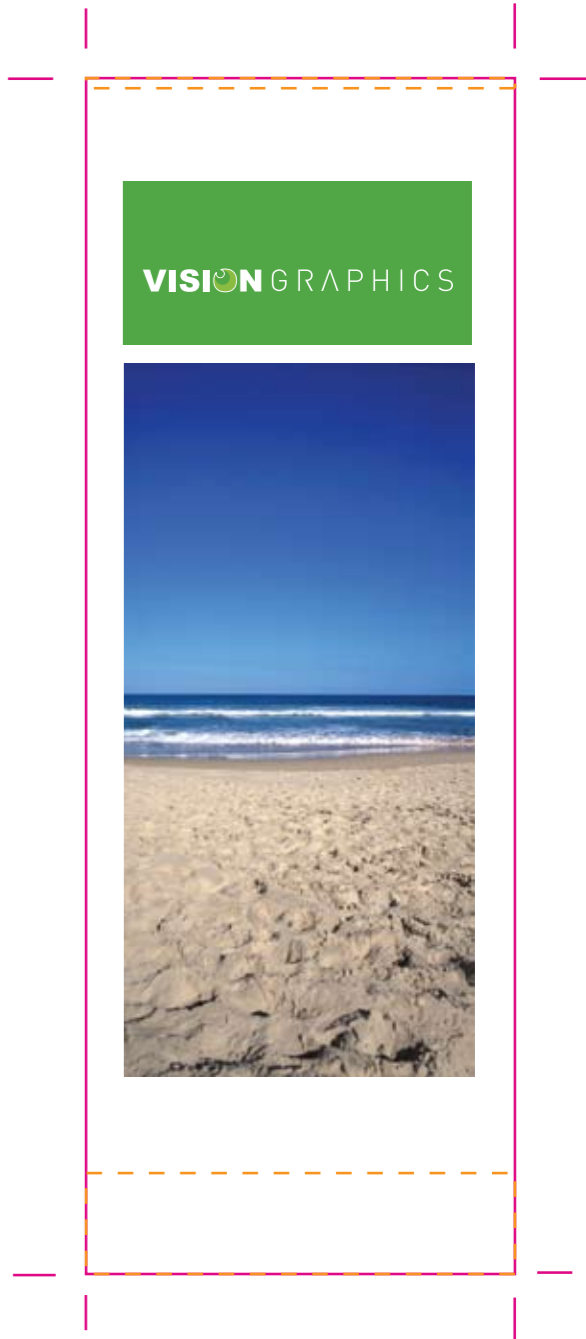


Artwork Specifications

- Adobe RGB (preferred) or (Euroscale Coated v2) CMYK colour space.
- Illustrator .eps files, Indesign files or high res PDFs. All images embedded & fonts outlined.
- 120 - 300dpi resolution at actual print size required
- No layers, paths or channels.

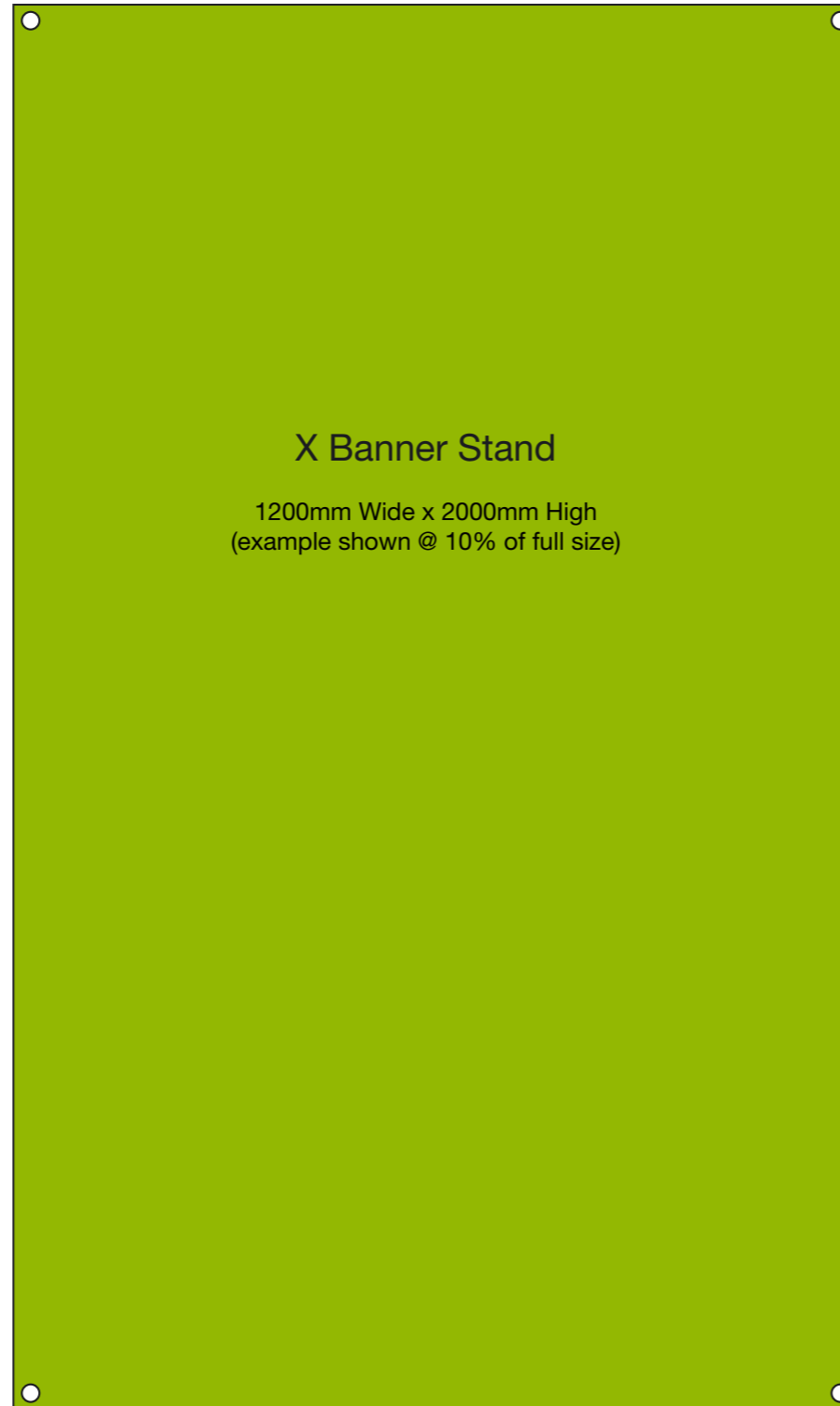


If artwork has white on either top and/or bottom or sides, please include crop marks for 840mm x 2320mm trim, bearing in mind that the visual area is 840 x 2150mm.



Ideally, background image or graphic would cover entire trim area of 840 x 2320mm, in which case crop marks are not required.

It's advisable to keep any type or non-background graphic/s a reasonable distance away from both top, bottom and sides.



Eyelets

13 mm Diameter Eyelet on each corner
Finishing dept have template for eyelet position (which is 30mm in from both sides)

Artwork Specifications

- Adobe RGB (preferred) or (Euroscale Coated v2) CMYK colour space.
- Illustrator .eps files, Indesign files or high res PDFs
All images embedded & fonts outlined.
- 120 - 300dpi resolution at actual print size required
- No layers, paths or channels.

POPUP CURVED WALL DISPLAY SYSTEMS

Pop Up Panels Sizes

Sizes available:

4x3: 4038 W x 2220 H (6 Panels)

3x3: 3365 W x 2220 H (5 panels)

2x3: 2692 W x 2220 H (4 Panels)

Please provide artwork as one piece (not cut into panels) with 10mm bleed at all sides.

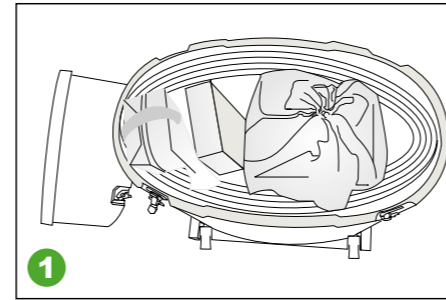
Artwork Specifications

- Adobe RGB (preferred) or (Euroscale Coated v2) CMYK colour space.
- Illustrator .eps files, Indesign files or high res PDFs
- All images embedded & fonts outlined.
- 120 - 300dpi resolution at actual print size required

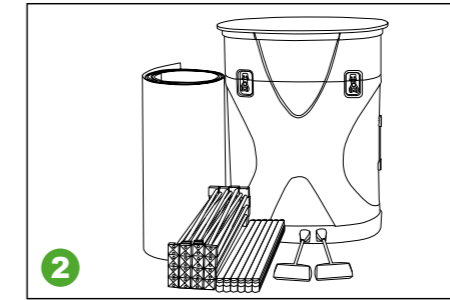
680mm wide x 2220 mm high
(example shown @ 10% of full size)

All panels in our pop up curved wall systems are 680mm wide x 2220 mm high

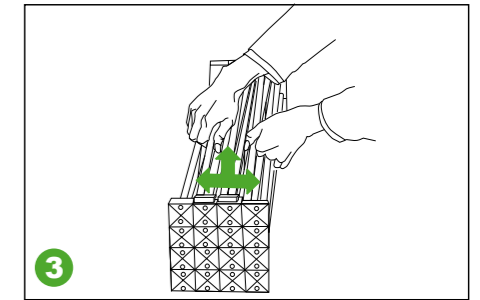
Set up instructions



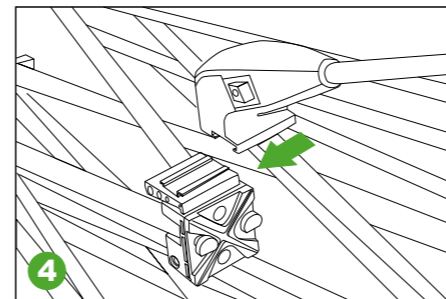
1 Open the hard case.



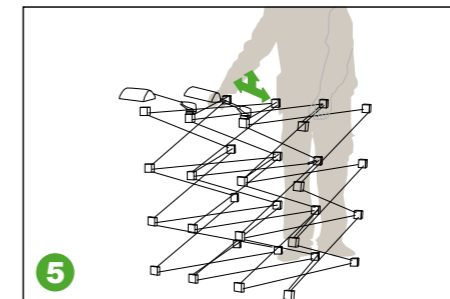
2 Check components: pop up frame, magnetic bars, graphic print wall (5 pcs) and hard case sign, two lights, two leads.



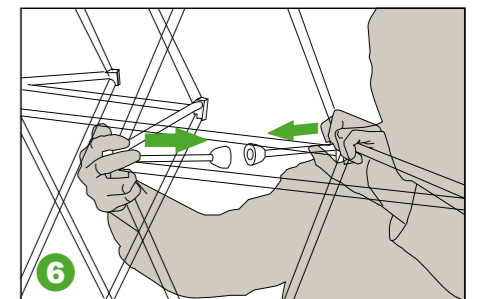
3 Take out frame from soft carry bag.



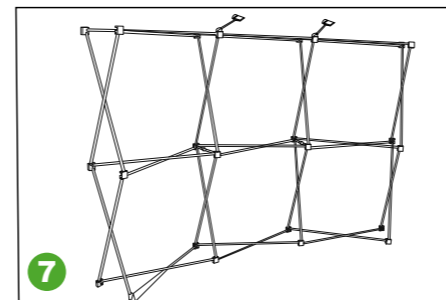
4 Connect spotlights to top of frame by sliding light across bracket. Turn light switch to on position.



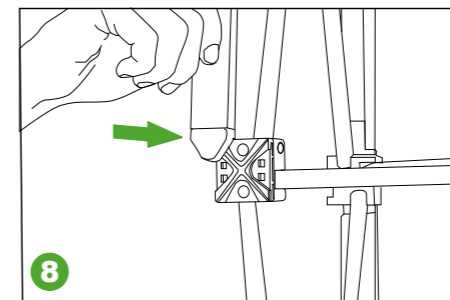
5 Put foot softly on bottom of frame. Expand the frame slowly with lights on.



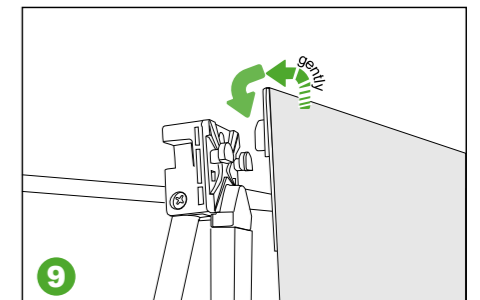
6 Extend frame fully and ensure four magnetic connectors are attached.



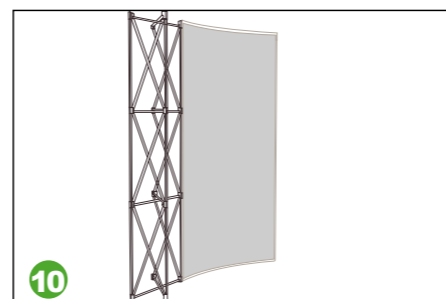
7 Orient the pop-up with curved end facing the front.



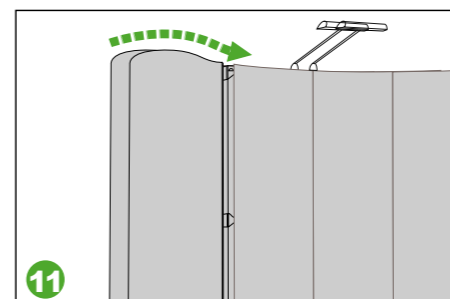
8 Align the magnetic bars vertically to front (12) and immediate left and right rear sides (6). Press into place and ensure they are attached securely.



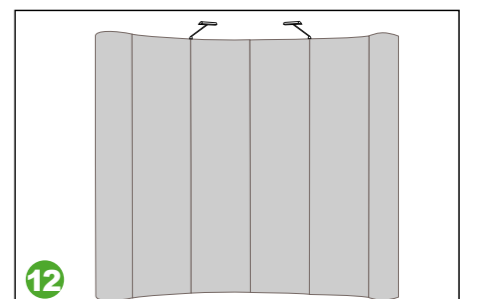
9 Start with middle panel and raise up over tabs on frame and slide down SLOWLY to lock into place. (DO NOT PULL DOWN HARD). Align panel left and right side to centre of magnetic bar.



10 Proceed to fit remaining two panels to front of pop up in the same manner as the first.

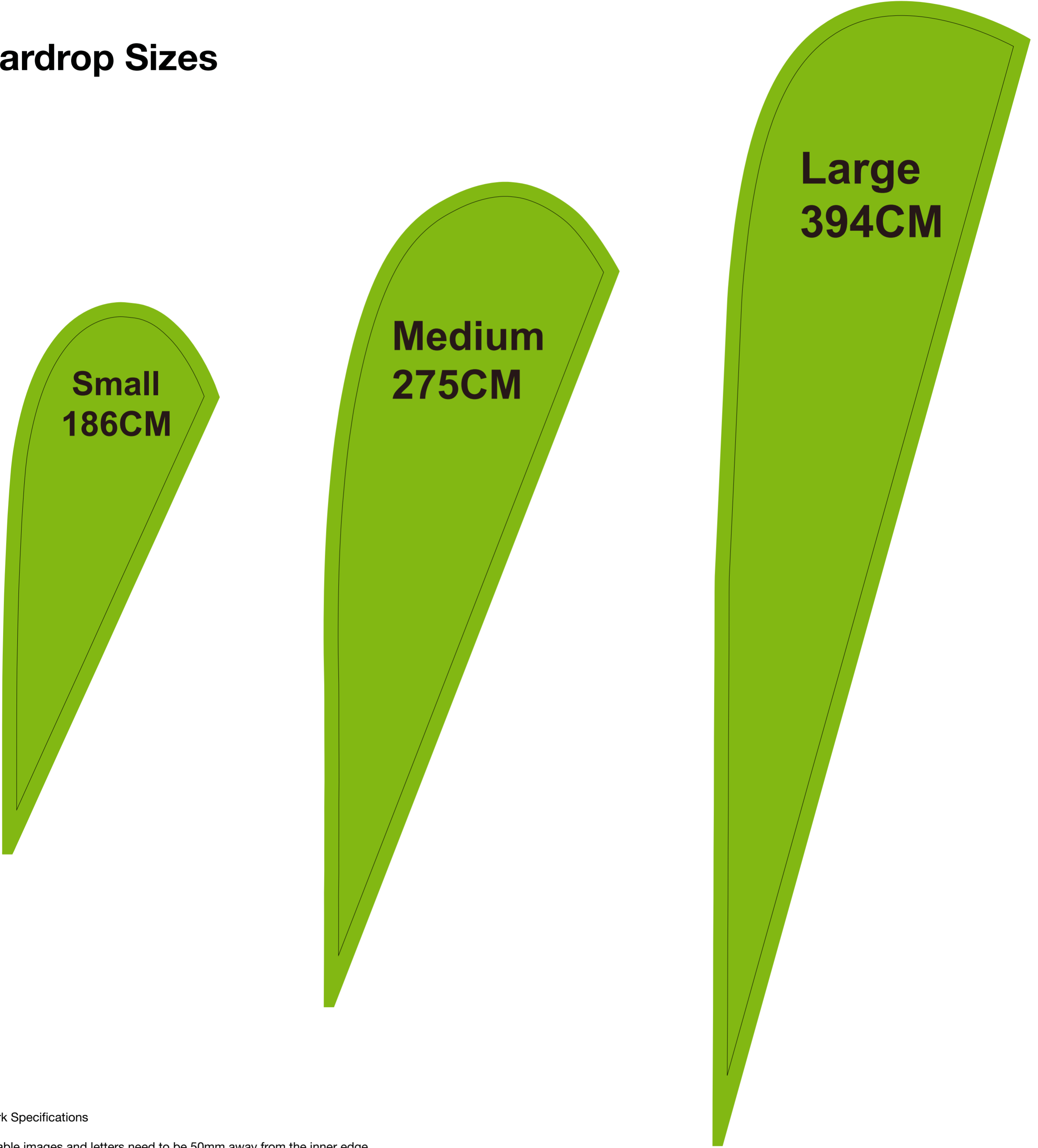


11 End panel installation (Suggest two people do this task). Hang panel onto back hook first. Align to magnetic strip. One person holds back in place while the other bends panel around to front and attaches clip on panel to top hook. Align and secure panel to magnetic bar all the way down.



12 Check pop-up panels for alignment and adjust if required. Plug in lights and connect to power supply to test. Put away all bags into counter case and close. Wrap counter sign around case with velcroed section to the rear and connect.

Teardrop Sizes



Artwork Specifications

- Viewable images and letters need to be 50mm away from the inner edge
- Bleed is not required.
- Design must be in the green area only.
- Adobe RGB (preferred) or (Euroscale Coated v2) CMYK colour space.
- Illustrator .eps files, Indesign files or high res PDFs
- All images embedded & fonts outlined.
- 120 - 300dpi resolution at actual print size required

Bali flag Sizes

Artwork Specifications

- Viewable images and letters need to be 50mm away from the inner edge
- Bleed is not required.
- Design must be in the green area only.
- Adobe RGB (preferred) or (Euroscale Coated v2) CMYK colour space.
- Illustrator .eps files, Indesign files or high res PDFs
- All images embedded & fonts outlined.
- 120 - 300dpi resolution at actual print size required

